



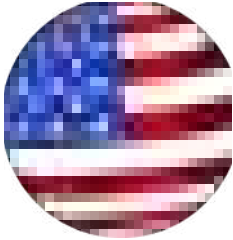
pve[®]

PVE37

User Manual / Manual de usuario

August 2022

Languages / Idiomas



English

Page 3 - 14



Español

Página 15 - 26

THE ORIGINAL WORK OF ART.®

Information contained herein is the property of Pneumatic Vacuum Elevators, LLC. No reproduction or disclosure of this information may be made by the recipient to any person or organization without the written consent of Pneumatic Vacuum Elevators, LLC.



Index

Vacuum Elevator PVE37	4
Technical specifications	4
1. Safety instructions	5
2. Obligations of Elevator Owner	6
3. Components	7
4. Buttons and commands of operation	8
4.1. External call buttons	8
4.1. Car buttons	8
5. Start Up	8
5.1. Functioning	9
5.2. Functioning characteristics	10
5.3. Additional features	10
6. What to do in case of irregular elevator operations	10
7. What to do when a passenger cannot get out of the car.....	11
7.1. Passenger locked in the car and no help nearby.....	11
7.2. How can someone which is outside the elevator assist the passenger to exit?	11
7.2.1. How to manually open the door downstairs using the key lock door from the outside of the elevator.....	11
7.2.2 Using the manual override on the motor contactor	12
7.2.3- Removing a wall polycarbonate to rescue a trapped passenger.....	12
8. Cleaning the elevator	13
9. Warranty	14

A WORK OF ART. POWERED BY AIR.®

Information contained herein is the property of Pneumatic Vacuum Elevators LLC. No reproduction or disclosure of this information may be made by the recipient to any person or organization without the written consent of Pneumatic Vacuum Elevators LLC.



Vacuum Elevator PVE37

2 passenger

TECHNICAL SPECIFICATIONS

General

- External cylinder diameter: 37" inches (940 mm)
- Rated Load: 450 lbs (205 kg)
- Speed: 30 fpm (0.15 m/s)
- No pit required.
- Bottom (ground) floor must be leveled as elevator rests on existing floor.
- No hoist-way required.
- Minimum overhead clearance:
 - Standard Unit (turbine motors located on top): 107" inches (2,719 mm)
 - Split Unit (turbine motors located remotely): 97" inches (2,464 mm)
- Penetration required to install through floors and ceilings: 39" inches (991 mm)

Mechanical Requirements

- 220 V, 60/50 Hz, 30amp single phase power supply
- 5 turbine motors located in pump box using a total of 5kW

Car

- Entrance width opening: 20 1/2" inches (521 mm)
- Internal cabin height: 79" inches (2,007 mm)
- Internal cabin diameter:
 - Between columns: 29 1/2" inches (750mm)
 - Without columns: 32" inches (820mm)
- Automatic LED lighting and car fan

- Door openings: same side (in-line), walk through (180°) or 90° degrees. There are limitations with 90° configuration
 - All doors are hinged on top left, with door swing to the left, from inside the car.
- Door Height: 77 3/4" inches (1,975 mm)
- Height to top of Door closer: 79 1/2" inches (2,020 mm)
- 24 Volt electrical circuits with all controls in car
- Push button call controls with precise leveling at each landing.
- Telephone

Safety

- Automatic descent to ground level at safety speed in the event of a power failure.
- Mechanical emergency brakes which activate within two inches of free fall in vacuum loss or catastrophic failure.
- Electromechanical interlocks at each landing
- Alarm
- Warranty: One year from installation
- Machinery Directive 2006/42/EC
- CE marking
- ASME A17.7 Certified



* Technical data subject to change. PVE reserves the right to change the information in this document without prior notice.

Information contained herein is the property of Pneumatic Vacuum Elevators LLC. No reproduction or disclosure of this information may be made by the recipient to any person or organization without the written consent of Pneumatic Vacuum Elevators LLC.



1. Safety Instructions

WHEN USING AN ELEVATOR, BASIC PRECAUTIONS SHOULD ALWAYS BE FOLLOWED, INCLUDING THE FOLLOWING:

READ ALL INSTRUCTIONS BEFORE USING THIS VACUUM ELEVATOR

- Never allow children or people unfamiliar with the instructions to operate the elevator.
- Never open the door when in operation.
- Do not force the doors open.
- Never remove car ceiling.
- Never remove any of the covers of the elevator. Do not use elevator when covers have been removed.
- Do not lay any objects against the cylinder elevator walls.
- Do not use elevator if ambient temperature is less than 18°C.
- Do not remove any weather stripping located on the doors.
- Do not remove any hardware that is part of the elevator or shipped with the unit.
- Do not obstruct the door opening, door clearance, and door locks.
- Keep the door lock key together with the Allen tool to open the security lock cover, in a secure place close to elevator on the ground floor.
- Do not use elevator if home is under construction and there is dust / particles that are air born.
- Turn "off" motor circuit breaks (power interrupts) before entering hoist way (cylinder) *authorized technicians only*
- Do not spill water on any of the electronics
- Do not exceed the maximum allowable load
- Only an authorized PVE dealer distributor is to install, work on, and/or service the elevator.
- Elevator has a small step into cabin.
- Keep all nuts, bolts and screws tight to ensure that the equipment is in safe operating condition.
- Never wedge anything between the car and the cylinder.
- If voltage exceeds nominal 220VAC it can cause damage to system. Assure a regulated, clean, and dedicated line is supplied to elevator.
- Read this manual before operating the equipment!
- The elevator is intended for the transportation of people from one landing to another.
- An approved ANSI or EN131 "A-Frame" ladder is required to access controls.

A WORK OF ART. POWERED BY AIR.®

Information contained herein is the property of Pneumatic Vacuum Elevators LLC. No reproduction or disclosure of this information may be made by the recipient to any person or organization without the written consent of Pneumatic Vacuum Elevators LLC.



2. Obligations of Elevator Owner

The following are important items the owner of elevator needs to comply with:

- The owner of elevator needs to always have a phone connected and working properly inside the car. Make sure to have the phone numbers of the maintenance company; the local fire department and friends and/or family members, visible near the phone. It is absolutely necessary to check the proper functioning of the phone on a regular basis.
- The owner of elevator needs to maintain the elevator and installation in a safe operating condition. To fulfill this the owner shall use a maintenance organization complying with the requirements of the elevator.

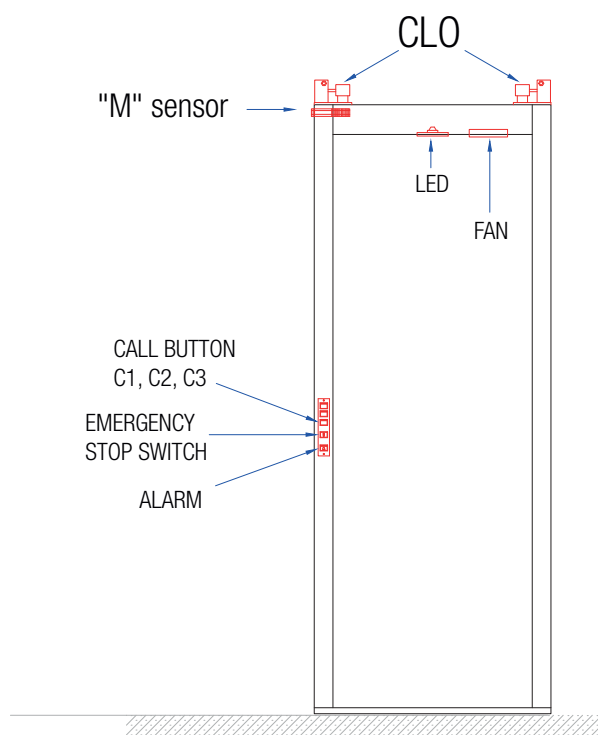
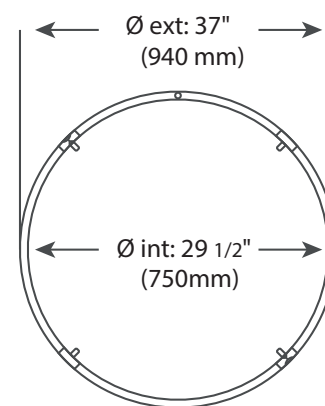
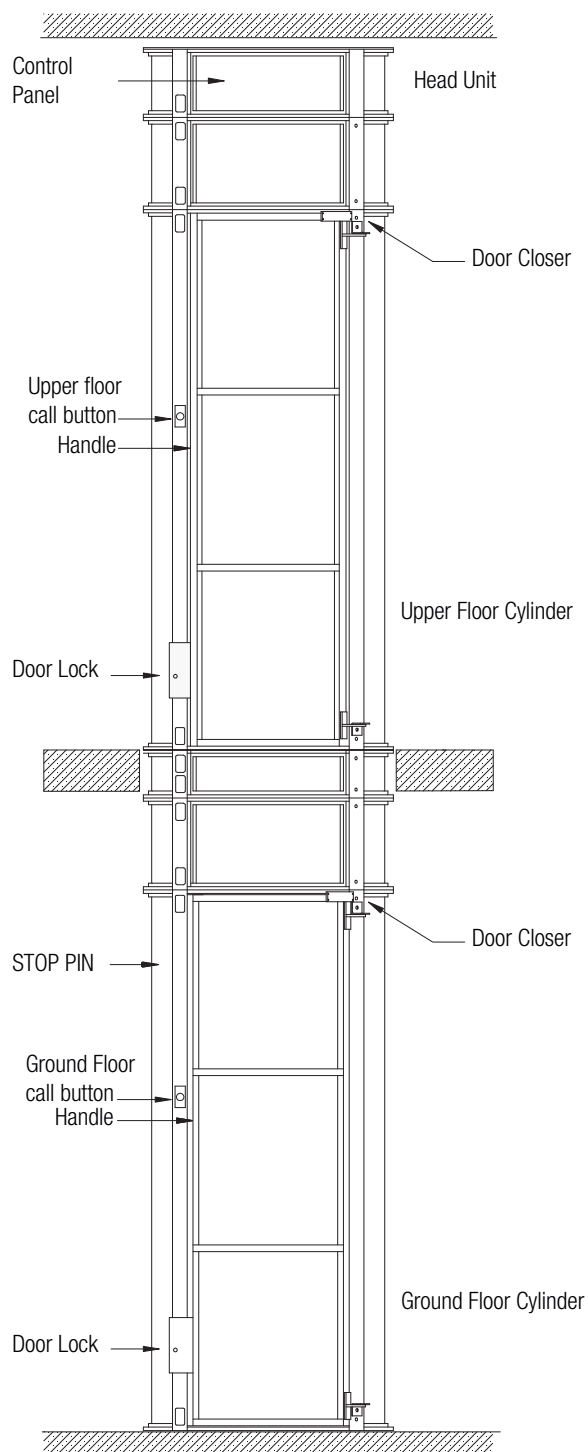
Note: It is highly recommended that owner uses a company that has an adequate and proper insurance coverage as required of any contractor.

- Having a connected and operating phone.
- The owner of elevator needs to inform the maintenance organization immediately:
 - About any perceived abnormal operation or abnormal changes in its direct environment.
 - After putting the installation out of service in the case of a dangerous situation.
 - After any rescue intervention.
 - Before any modification related to the installation and/or its environment.
 - Before any authorized third party inspection or works other than maintenance works are carried out on the elevator.
 - Before taking the elevator out of service for a prolonged period of time.
 - Before putting the elevator back into service after a prolonged period of non operating time.
- Ensure that the name and telephone number of the maintenance company is permanently affixed and clearly visible for anyone to locate.
- The owner of elevator needs to ensure that the keys of the elevator: door lock key, machine, and cabin if applicable and the special Allen tool to open the lock cover, are all available at a permanent location on the ground floor, nearby the elevator door and used only by persons authorized to gain access use those.
- The owner of elevator needs to keep the access to working areas and working rooms safe and free for the maintenance persons and to inform maintenance organization about any hazard or change in the workplace and/or the access ways.
- The owner of elevator needs to take into consideration the consequence of the risk assessment and needs to ensure that the risk assessment is carried out.
- In addition to those examinations and test which the owner of elevator entrusts to the maintenance organization, the owner needs to carry out periodically, in their own interest, the following checks:
 - That the doors close correctly.
 - That call buttons/controls function properly.
 - That the car phone functions properly and relevant phone numbers are listed next to the phone.
 - Safety signs are attached.
- Take additional steps:
 - If the elevator is exposed to high sunlight then the owner of elevator will have to take additional steps to reduce the amount of heat in car.
 - If the elevator is installed in a flood risk zone then the owner of elevator will have to take steps to reduce any risk of flooding the elevator.
- The owner of elevator needs to take care of any National regulations and other requirements, where relevant, and their implications on maintenance.
- The owner of elevator needs to have the maintenance organization carry out a service (maintenance) if the installation will or has remained unused for a long period of time before first being put into service.

Information contained herein is the property of Pneumatic Vacuum Elevators LLC. No reproduction or disclosure of this information may be made by the recipient to any person or organization without the written consent of Pneumatic Vacuum Elevators LLC.



3. Components



Information contained herein is the property of Pneumatic Vacuum Elevators LLC. No reproduction or disclosure of this information may be made by the recipient to any person or organization without the written consent of Pneumatic Vacuum Elevators LLC.

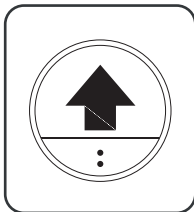


4. Buttons and commands of operation

4.1. External call buttons.

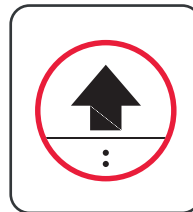
The external call buttons that are located on the side, next to the elevator doors illuminate, providing us information about where the car is located - when in operation. These buttons are used to call the elevator when the car is at another level.

No Light



Signifies that the car has not been called to that given floor. If the car is on that floor the door is unlocked and can be opened by pulling out the handle.

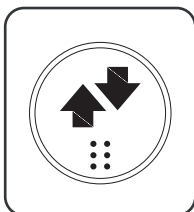
Lighted



Signifies that the car has been called to and is going towards that given floor. The door is locked and can not be opened.

4.2. Car buttons

Start Button



Pressing this button starts up the elevator. For the car to respond all the doors must be securely fastened and the stop button not activated.

Note: The illustration button corresponds to a two-stop elevator.

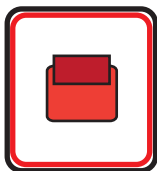
For a 3stop or 4stop elevator the car will have call buttons for each landing.

Alarm Button



Pressing this button will sound an alarm. This button is utilized when a passenger cannot exit the car.

Stop Button



Activating the button, while in motion, will stop the car and cause the car to slowly descend to the ground floor. This feature can be used at any time during the operation.

In order to restart the elevator the Stop Button must be deactivated. Note: If Stop Button has been activated call for service before starting unit again.

5. Start Up

- If the car is not situated on the floor, press the call push button and wait until the cabin lands at the given floor. The call push button will illuminate.

Once the button's light turns off, indicating the car's presence, the door can be opened and can walk into the elevator.

- If the car is at the floor level, whether on ground or on the upper floor, once the door is opened the LED light and interior ventilation will automatically turn on. The car's door needs to be closed in order for the elevator to operate. Once the car reaches the selected floor and has landed, in order to exit the elevator, one must solely push the door open.

Note: there is a 10 seconds delay built into the system between calls.

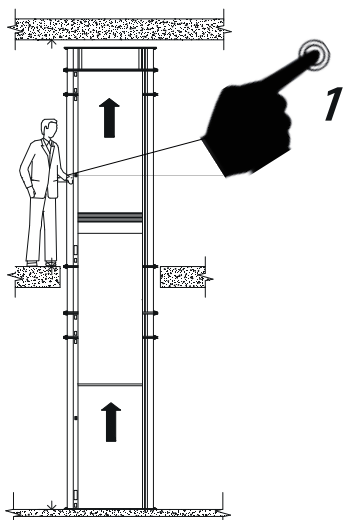
Information contained herein is the property of Pneumatic Vacuum Elevators LLC. No reproduction or disclosure of this information may be made by the recipient to any person or organization without the written consent of Pneumatic Vacuum Elevators LLC.



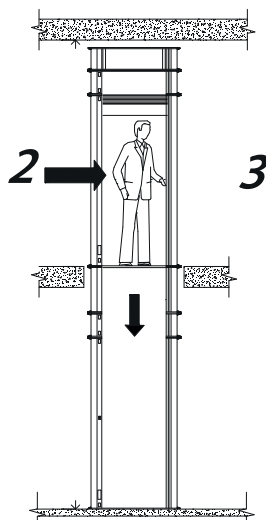
5.1 Functioning

If the car is on a different floor

1. Momentarily press the call button and wait for the car to reach the indicated floor and has completely landed.

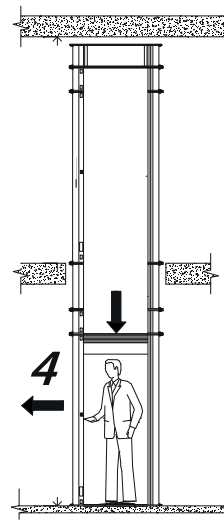


2. Open the door and get into the car



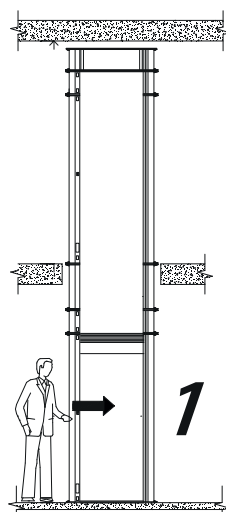
3. Press call button for the desired landing

4. Wait for the car to reach the indicated floor and has properly landed, in order to exit the elevator, one must solely push the door open.

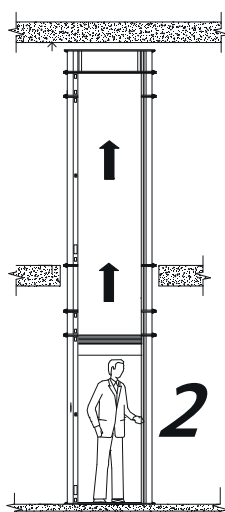


If the car is at the floor level

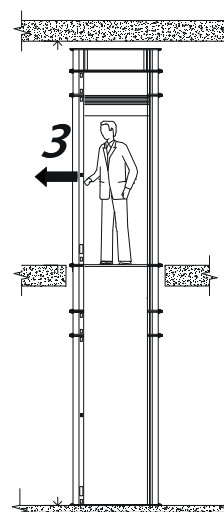
1. Open the door and get into the car



2. Press call button for the desired landing



3. Wait for the car to reach the indicated floor and has properly landed, in order to exit the elevator, one must solely pus the door open.





5.2 Functioning characteristics

- The elevator relies on an electronic control system that controls the general operation of the equipment and which goes through a series of security procedures.
- The car will not start if the doors are not securely closed and locked and if the car emergency switch is in the down position.
- The controller has a time out feature in which it automatically turn off all motors and valves if the car does not reach a given landing within a pre-determined amount of time.
- The car is equipped with lighting and ventilation system that is automatically turned on when the doors are opened. This system deactivates after a pre-determined amount of time has elapsed. (60 sec)
- The elevator is equipped with emergency brakes that are activated in case of an emergency, thereby mechanically stopping the car when loss of vacuum occurs.
- The equipment also features an overload security system, which impedes the car from ascending should the maximum permitted weight, which is indicated on the elevator, is surpassed. If this occurs, the car will re-anchor at given landing, an alarm will be activated and the elevator non-operational for a given amount of time. During this time the passengers can unload / decrease added load. The elevator then will reset and be operational again.

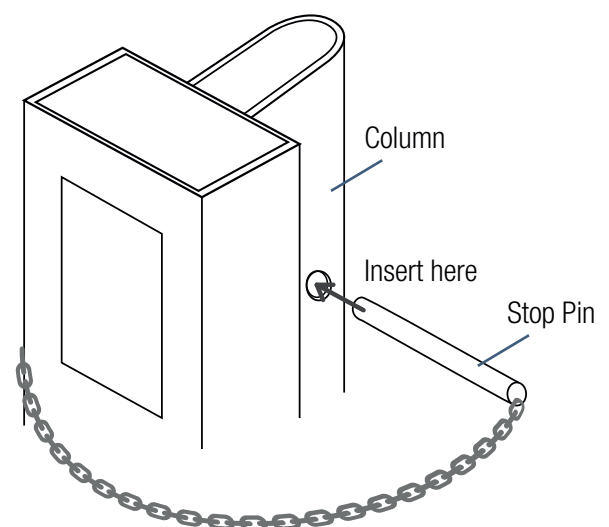
5.3. Additional Features

- **BUFFERS:** The elevator is equipped with two "buffers", its purpose is to slow down the landing at the lowest landing.
- **STOP PIN:** The elevator is equipped with a "stop pin" which is to be used when servicing the elevator inside of the elevator shaft on ground floor level when the car is at an upper landing. The stop pin is attached to a chain located on the pushbutton and door lock column at the ground floor level, to the left of the door. SEE POINT 3. COMPONENTS

ONLY TO BE CARRIED OUT BY AN AUTHORIZED PVE DEALER/TECHNICIAN

Instructions:

1. Position car on an upper landing by placing a call.
 2. Turn off power to the unit by switching the power switch on the residence electricity panel to the off- position.
 3. Use the door lock key to open the ground floor door, following instructions in chapter 7.2.1
 4. Insert the stop pin into the hole in the column/rail at the inside. See this picture.
- Note: Do not remove from chain.
5. Once work in the shaft is completed remove any and all tools and clean area leaving it free from any obstructions.
 6. Remove "stop pin" and close door.
 7. Turn power switch on again



WARNING: Entry section needs to be blocked off when work is being performed and as long as the "Stop Pin" is being used.

Information contained herein is the property of Pneumatic Vacuum Elevators LLC. No reproduction or disclosure of this information may be made by the recipient to any person or organization without the written consent of Pneumatic Vacuum Elevators LLC.



6. What to do in case of irregular elevator operation?

A - If when pressing the external call button, the car does not respond:

1. Verify that all doors are perfectly closed.
2. Verify that the emergency switch is in the up position
3. Make sure that power hasn't been cut off at the residence electricity panel.
4. If once checked the operation continues to fail, call maintenance company.

B - If when pressing the call buttons the car does not respond:

1. Verify that all doors are perfectly closed.
2. Verify that the emergency switch is in the up position
3. Make sure that power hasn't been cut off at the residence electricity panel.
4. If once checked the operation continues to fail, call maintenance company.

C - If after pressing the call button, the car ascends and descends without stopping or if the turbines keep functioning while the car is stuck to the cylinder's roof:

1. Put the red emergency switch to the off-position. The car will start slowly descending to the lower floor.
2. Once the car reaches ground floor, exit the car and call maintenance company.

7. What to do when a passenger cannot get out of the car

7.1 – Passenger locked in the car and no help nearby:

1. The passenger locked in the car should first of all keep calm!
2. In case there is no help nearby it will be necessary to call maintenance and family/friends or in a real emergency case, the local fire brigade. Note: For this reason it is important that all related phone numbers must be permanently listed inside the car and be updated from time to time. Also make sure to check the proper functioning of the phone. PVE recommends to have these telephone numbers listed on a sticker inside the car.
3. Place Stop Switch in the down position.

7.2 - How can someone which is outside the elevator assist the passenger to exit? The following cases are presented according to the location of the stranded car:

CASE A. The car is stuck at a given landing/floor but door does not open.

7.2.1 How to manually open the door downstairs using key lock door from the outside of the elevator.

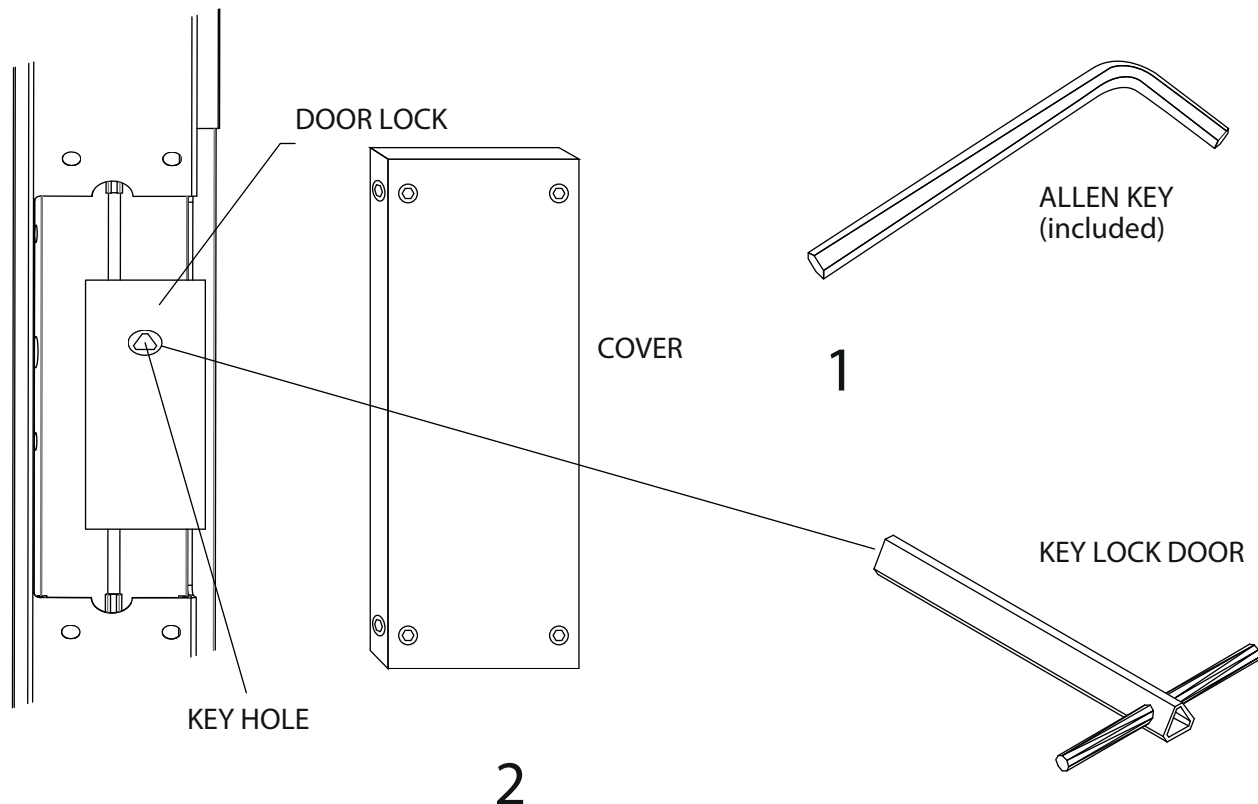
1. Remove door lock cover . (Check chapter 3. Components)
2. Insert the door opening key in the door hole.
3. Make a 1/4 turn .
4. Open the door.

Information contained herein is the property of Pneumatic Vacuum Elevators LLC. No reproduction or disclosure of this information may be made by the recipient to any person or organization without the written consent of Pneumatic Vacuum Elevators LLC.



NOTE: Do not operate elevator and call a qualified service technician to inspect unit.

WARNING: Once door is open and person is out, close the door. You should block entrance until qualified technician inspects and has the elevator fully functional again.



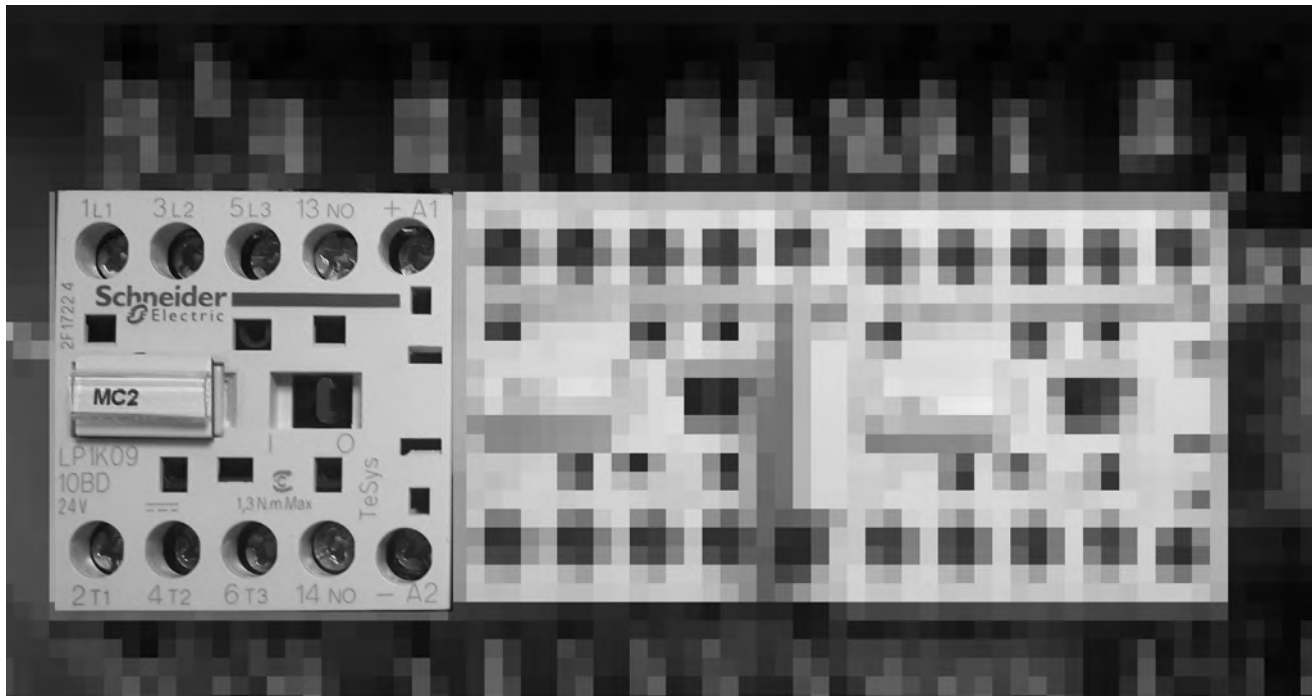
CASE B. The car is found between floors with a passenger inside.

7.2.2 Manual activation of the motors - Motor Contactor

1. Check that there are no breaks in polycarbonate sheets or that a polycarbonate panel has not been removed.. If so, immediately contact service.
2. Verify that there is no obstruction preventing movement of car. If so, immediately contact service.
3. Assure no doors are open
4. Check main power supply is ON.
5. Remove cover on control panel.
5. Check all switches are ON.
6. Activate the MC2 motor contactor for 2 to 5 sec and release. This will allow the car to disengage from its safeties and lower itself to the ground floor.

A WORK OF ART. POWERED BY AIR.®

Information contained herein is the property of Pneumatic Vacuum Elevators LLC. No reproduction or disclosure of this information may be made by the recipient to any person or organization without the written consent of Pneumatic Vacuum Elevators LLC.



NOTE: If the car has been moved to the ground floor and the door does not open, proceed according to procedure 7.2.1

NOTE: If there was a vacuum loss determine what caused the problem, contact the maintenance company in order to correct problem, and proceed again from point 3. If the car is still locked proceed according to the procedure 7.2.3.

7.2.3- Removing a wall polycarbonate to rescue a trapped passenger **ELECTRICITY MUST BE TURNED OFF BEFORE**

Before doing so determine carefully which sheet can be best removed in order to best enable passenger to exit car.

Once the seals are removed the polycarbonate sheet can be removed and the person freed.

WARNING: Elevator should not be operated again until a qualified technician inspects and has the elevator fully functional again. Blocking the entrance is recommended.

WARNING: The entry section used to rescue the passenger needs to be blocked off immediately as to avoid any injury by person(s) walking by elevator. Elevator should not be operated again until a qualified technician inspects and has the elevator fully functional again.

Place this manual in a location where it is easy to find in case if anyone needs to be rescued.

IMPORTANT

ONCE THE PASSENGER IS OUTSIDE THE CAR, TURN OFF THE ELEVATOR AND CALL FOR SERVICE IMMEDIATELY.

8. Cleaning the elevator

- To clean the outside of the cylinder use a product to clean polycarbonate. Apply with a clean cloth which is scratch free.

Information contained herein is the property of Pneumatic Vacuum Elevators LLC. No reproduction or disclosure of this information may be made by the recipient to any person or organization without the written consent of Pneumatic Vacuum Elevators LLC.



9. WARRANTY

12 MONTH LIMITED WARRANTY

Pneumatic Vacuum Elevators, LLC (PVE), warrants to the original consumer purchaser of the Pneumatic Vacuum Elevator lift, that the company will repair or exchange, at its option, any part of the lift that fails by reason of defective material or workmanship as follows:

- Repair or replace parts for a period of 12 months from the date of lifts purchase and installation. This warranty does not cover labor charges incurred in the removal or replacement of parts. To obtain warranty service, you must promptly notify the PVE dealer from whom the lift was purchased, within warranty period.

This warranty does not cover:

Batteries and malfunction or damage to lift parts caused by accident, misuse, abuse or lack of proper maintenance, neglect, improper adjustment, modification, alteration, the structural condition of your building, overloading, failure to follow the lift operating instructions, or acts of God (i.e. weather, lighting, flood, etc.). Damage to the PVE control board as a result of non-stabilized voltage is not covered under warranty. As stated in Section 1 Safety Instructions, if voltage exceeds nominal 220VAC it can cause damage to system.

This warranty is void if:

- Lift has been installed or maintained by someone other than an authorized Pneumatic Vacuum Elevators dealer.
- Lift has been modified or altered in any respect from its original design without written authorization by PVE.
- The user does not join a preventive maintenance program offered by an authorized PVE dealer and does not have the lift inspected at least once every 6 months or more frequent as use or environment dictates.
- The "PVE Product Installation Report" has not been sent in to PVE.

A WORK OF ART. POWERED BY AIR.®

Information contained herein is the property of Pneumatic Vacuum Elevators LLC. No reproduction or disclosure of this information may be made by the recipient to any person or organization without the written consent of Pneumatic Vacuum Elevators LLC.



Índice

Ascensor Neumático PVE37	16
Especificaciones técnicas	16
1. Medidas de seguridad	17
2. Obligaciones del propietario	18
3. Componentes	19
4. Pulsadores de operación del equipo	20
4.1. Pulsadores externos de llamada.	20
4.1. Pulsadores internos de llamada.	20
5. Puesta en marcha	20
5.1. Funcionamiento	21
5.2. Características de funcionamiento	22
5.3. Componentes adicionales	22
6. Cómo proceder en casos de funcionamiento irregular del elevador	22
7. Como proceder en caso de atrapamiento	23
7.1. Pasajero atrapado en cabina sin ayuda cercana en el exterior.	23
7.2. Si usted se encuentra fuera de la cabina, y hay un pasajero atrapado en el interior.	23
7.2.1. Cómo abrir manualmente la puerta de planta baja haciendo uso de la llave de traba de puerta desde el exterior del cilindro.	23
7.2.2 Activación manual de sistema de vacío	24
7.2.3- ¿Cómo quitar una pared de policarbonato para rescatar a un pasajero atrapado?	24
8. Limpieza del equipo	25
9. Garantía	26

A WORK OF ART. POWERED BY AIR.®

La información consignada en este documento es propiedad de Pneumatic Vacuum Elevators LLC. Se prohíbe a cualquier persona u organización la reproducción total o parcial de dicha información sin el consentimiento por escrito de Pneumatic Vacuum Elevators LLC.



Ascensor Neumático PVE37

2 personas

ESPECIFICACIONES TÉCNICAS

Generales

- Diámetro exterior del cilindro: 940 mm (37")
- Carga máxima: 205 kg (Dos personas, 450 lbs)
- Velocidad: 0.15 m/s (30 fpm)
- No requiere foso. El suelo de planta baja debe estar perfectamente nivelado.
- No requiere cuarto de máquinas.
- Altura mínima requerida en planta más alta:
 - o Formato Cabezal (sistema de vacío ubicado en la parte superior del cilindro): 2,719 mm (107")
 - o Formato Split (sistema de vacío ubicación remota): 2,464 mm (97")
- Perforación requerida en instalación atravesando forjado (suelo/techo): 991 mm (39")

Alimentación

- Alimentación monofase 220 V, 60/50 Hz, 30amp
- Potencia total 5 kW. (5 turbinas)

Cabina

- Ancho paso de puerta: 521 mm (20 1/2")
- Altura interna: 2,007 mm (79")
- Diámetro interior:
 - o Entre columnas: 750 mm (29 1/2")
 - o Sin columnas: 820 mm (32")
- Iluminación LED y ventilación automáticas

- Configuración de puertas: En línea (0°) y opuesta (180°). Opción especial 90° derecha e izquierda
 - o Todas las puertas tienen siempre las bisagras de puerta a la izquierda (desde el interior de cabina)
- Altura de puerta: 1,975 mm (77 3/4")
- Altura hasta parte superior de cierrpuertas : 2,020 mm (79 1/2")
- o Una única puerta por planta.
- Circuito electrónico. Comando y control de cabina 24 V.
- Botones de llamada

Seguridad

- En caso de fallo del suministro eléctrico la cabina desciende automáticamente a la planta inferior.
- En caso de caída libre o velocidad excesiva los frenos de emergencia bloquean la cabina durante los primeros 5 cm de recorrido.
- Válvula limitadora de sobrecarga.
- Alarma de emergencia.
- Bloqueo mecánico de cabina en cada planta.
- Garantía: Uno a partir de la instalación.
- El ascensor neumático PVE cumple con la Directiva de Máquinas 2006/42/EC
- Certificación Mercado CE
- Certificación ASME A17.7



* Datos técnicos sujetos a modificaciones. PVE se reserva el derecho de modificar la información de este documento sin previo aviso.

La información consignada en este documento es propiedad de Pneumatic Vacuum Elevators LLC. Se prohíbe a cualquier persona u organización la reproducción total o parcial de dicha información sin el consentimiento por escrito de Pneumatic Vacuum Elevators LLC.



1. Medidas de seguridad

AL OPERAR EL ASCENSOR OBSERVE SIEMPRE LAS SIGUIENTES MEDIDAS BÁSICAS DE SEGURIDAD.

LEA ATENTAMENTE LAS INSTRUCCIONES ANTES DE UTILIZAR EL ASCENSOR.

- No permita a niños y/o personas que no conozcan el procedimiento de maniobra operar el ascensor.
- No intente abrir la puerta con el ascensor en funcionamiento.
- No fuerce la puerta para abrirla.
- Nunca retire el techo cielorraso de cabina.
- Nunca retire las tapas y cerramientos del ascensor.
- No apoye ningún objeto sobre las placas de policarbonato del cilindro del ascensor, especialmente en las perforaciones de planta baja.
- No introduzca ningún objeto entre la cabina y el cilindro del ascensor.
- No usar el ascensor si la temperatura ambiente es inferior a 18° C
- Nunca retire de las gomas en contacto con el policarbonato del ascensor.
- Nunca retire los burletes de los marcos de puerta.
- No retire ningún componente o parte del ascensor.
- No obstruya la apertura de la puerta del ascensor.
- Guarde en un lugar seguro la llave de traba triangular de apertura de puerta del ascensor.
- No utilice el ascensor si la vivienda está en construcción, donde pueda haber partículas de polvo presentes en el aire.
- Apague completamente el ascensor antes entrar en el interior de la caja del ascensor (cilindro). Utilice siempre el STOP PIN de seguridad. (Ver apartado 5.3. Stop Pin)
- Nunca cargar el equipo excediendo el peso indicado en la etiqueta de cabina.
- Evite que los componentes electrónicos del equipo entren en contacto con agua y/o líquidos.
- Lea este manual antes de usar el ascensor.
- El ascensor está destinado para el transporte de personas de una planta a otra.
Sólo personal autorizado por PVE puede instalar, realizar trabajos y/o servicios en el ascensor.

A WORK OF ART. POWERED BY AIR.®

La información consignada en este documento es propiedad de Pneumatic Vacuum Elevators LLC. Se prohíbe a cualquier persona u organización la reproducción total o parcial de dicha información sin el consentimiento por escrito de Pneumatic Vacuum Elevators LLC.

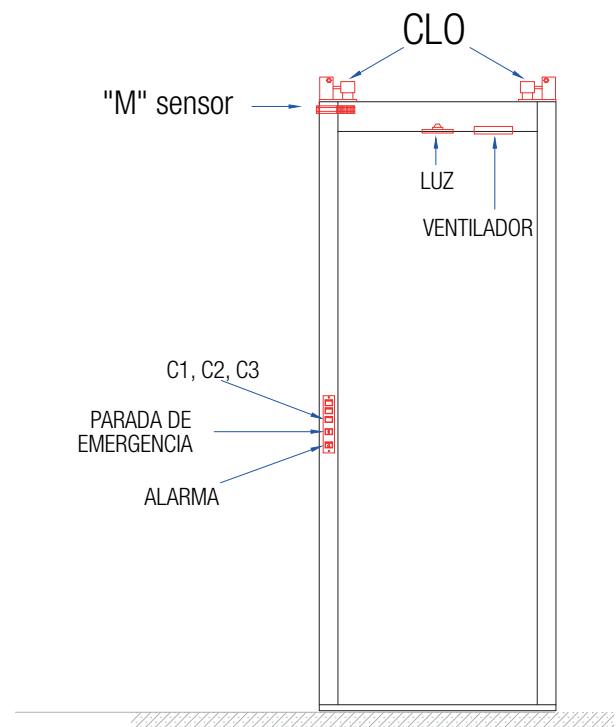
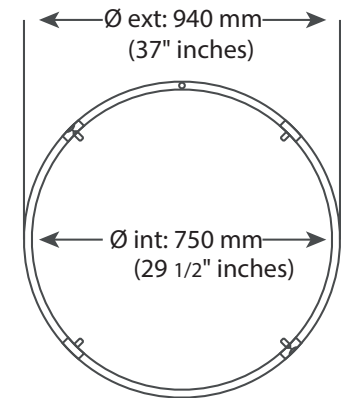
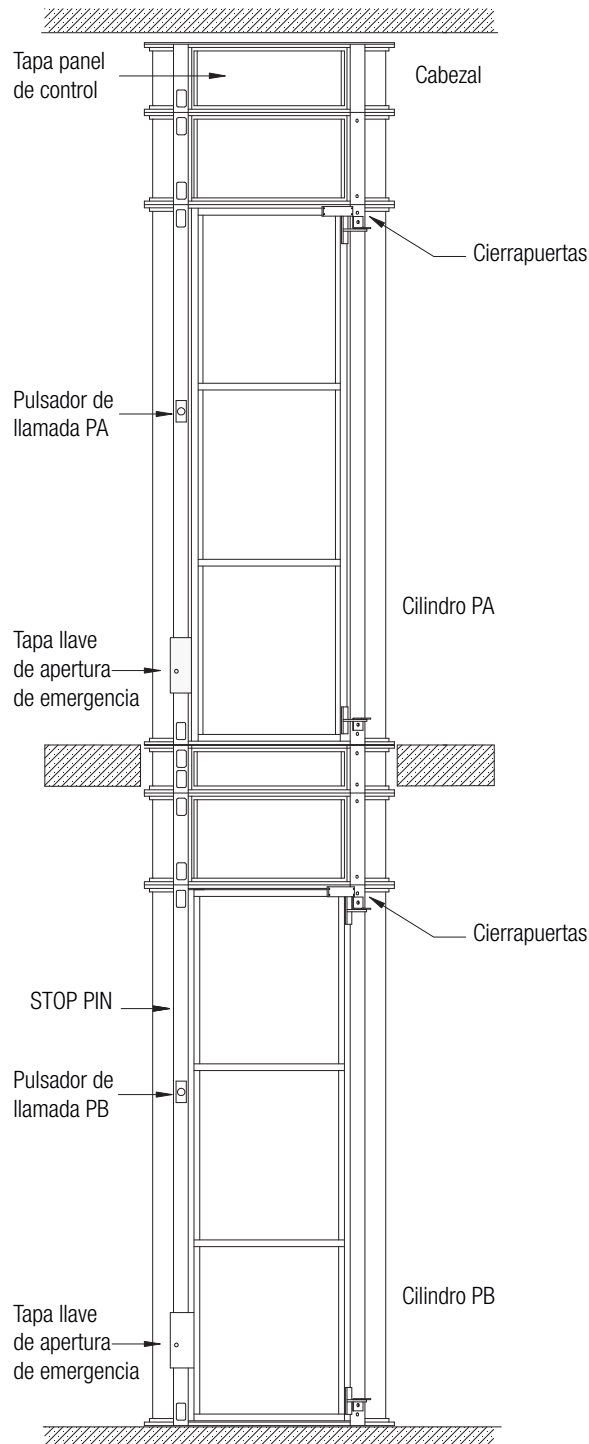


2. Obligaciones del Propietario

- El ascensor neumático está equipado con un teléfono en cabina que permite hacer llamadas en caso de necesidad. El propietario del ascensor tiene la obligación de mantener el teléfono operativo. Asegurarse de que los números de teléfono de interés (familia, amigos, empresa mantenedora, bomberos...etc) están visibles cerca del teléfono.
- Mantener el ascensor y la instalación en condiciones seguras de funcionamiento. En cumplimiento con la legislación vigente, el propietario deberá contratar una empresa de mantenimiento para cumplir con los requisitos legales exigidos.
- Tener conectado y operativo el teléfono de cabina.
- Informar de forma inmediata a la empresa mantenedora en los siguientes casos:
 - tras percibir cualquier funcionamiento o cambio anormal en el ascensor.
 - tras poner la instalación fuera de servicio en el caso de una situación de peligro.
 - tras cualquier intervención de rescate por personal cualificado autorizado.
 - antes de cualquier modificación relacionada con la instalación y / o de su entorno.
 - antes de cualquier inspección por parte de terceros, o de obras o acciones ajenas a las propias tareas de mantenimiento del ascensor.
 - antes de poner el ascensor fuera de servicio durante un periodo prolongado de tiempo.
 - antes de poner el ascensor de nuevo en servicio tras un período prolongado de inactividad.
- Asegurarse que el nombre y número telefónico de la empresa mantenedora está a la vista a disposición de cualquiera, de forma permanente y claramente visible.
- Asegurarse de que la llave(s) del ascensor (cerradura puertas, cuadro, y botonera de cabina si tiene) están permanentemente disponibles en la residencia y sólo se utilizan por las personas autorizadas.
- Mantener el acceso a las zonas de trabajo de forma segura y libre para las personas de mantenimiento y de informar a la empresa mantenedora sobre cualquier peligro o el cambio en el lugar de trabajo y / o de las vías de acceso.
- Garantizar que se ha realizado la evaluación de riesgos y tener en cuenta el resultado.
- Además de los exámenes y pruebas que el propietario del ascensor confía en la empresa mantenedora, el propietario tiene que realizar periódicamente, en su propio interés, los siguientes controles:
 - Que las puertas de cada planta cierran correctamente.
 - Botones exteriores de llamada / Botonera interior de cabina.
 - Funcionamiento / servicio de teléfono.
 - Las señales de seguridad.
- Tomar medidas adicionales:
 - si el ascensor está expuesto a la luz solar alta, para reducir la temperatura en el interior de cabina.
 - si el ascensor está en una zona inundable.
- El propietario del ascensor tiene la obligación de cumplir con todos los reglamentos y otros requisitos Nacionales, en su caso, en cuanto al mantenimiento del ascensor.
- El propietario del ascensor tiene la obligación de contratar una empresa de mantenimiento y notificarla de llevar a cabo un servicio (mantenimiento) si el ascensor va a estar o ha permaneció sin utilizar durante un largo periodo de tiempo antes de ponerlo en marcha/funcionamiento de nuevo.



3. Componentes principales del ascensor



La información consignada en este documento es propiedad de Pneumatic Vacuum Elevators LLC. Se prohíbe a cualquier persona u organización la reproducción total o parcial de dicha información sin el consentimiento por escrito de Pneumatic Vacuum Elevators LLC.

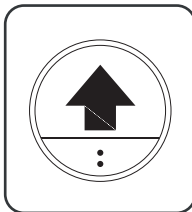


4. Pulsadores de operación del equipo

4.1. Pulsadores externos de llamada.

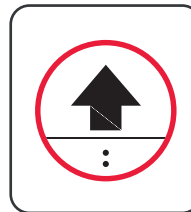
Los pulsadores de llamada ubicados en el lateral de las puertas de acceso al elevador presentan un indicador luminoso que nos brinda información del estado de la cabina en ese momento.

Luz Apagada



significa que la cabina se encuentra detenida.
Si la cabina se encuentra en ese piso la puerta está destrabada y se puede abrir tirando hacia afuera de la manija.

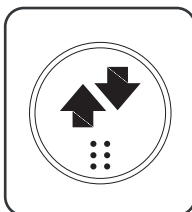
Luz Encendida



significa que la cabina se encuentra en movimiento. La puerta está trabada y no puede abrirse.

4.2. Pulsadores internos en cabina.

Pulsador en Marcha



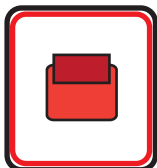
Al presionarlo se pone en marcha el elevador. Para que la cabina responda deben estar perfectamente cerradas todas las puertas del ascensor y la tecla de parada de emergencia desactivada.
Nota: El botón de la ilustración corresponde a un ascensor dos paradas. Si su ascensor es de tres o más paradas, encontrará una botonera diferente correspondiente al número de paradas de su ascensor.

Pulsador de Alarma



Al presionarlo suena una sirena de alerta. Se utiliza cuando el pasajero no puede salir de la cabina.

Llave de Parada de Emergencia



Al mover la palanca hacia abajo, estando la cabina en movimiento, ésta se detiene y comienza a descender muy lentamente hasta la planta inferior. Se utiliza si la cabina no responde a los mandos lógicos de funcionamiento. Para reanudar el funcionamiento del ascensor debe volverse la tecla de **PARADA DE EMERGENCIA** a su posición original. Chequear el funcionamiento del ascensor y en caso de persistir la falla, presionar nuevamente la tecla de **PARADA DE EMERGENCIA** y pedir un servicio de mantenimiento.

5. Puesta en marcha

- Si la cabina no se encuentra a nivel de piso, el indicador rojo del pulsador de LLAMADA se encuentra apagado, presionarlo y esperar que la cabina llegue al piso. Cuando la luz roja del pulsador se apaga, indicando la presencia de la cabina, se puede abrir la puerta y entrar al ascensor.
- Si la cabina se encuentra a nivel de piso, sea en planta baja o planta alta, los pulsadores de LLAMADA de todos los pisos estarán apagados, tirar hacia afuera de la manija para abrir la puerta e ingresar a la cabina. Se encenderá automáticamente la luz y ventilación interior. La puerta de la cabina se cerrará y si se presiona el pulsador de MARCHA la cabina se pondrá en movimiento. Cuando la cabina llega al piso indicado, y la cabina se encuentra totalmente detenida, para abandonar el ascensor, se debe empujar la puerta hacia afuera.

Nota: Existe un intervalo de 10 segundos entre llamadas.

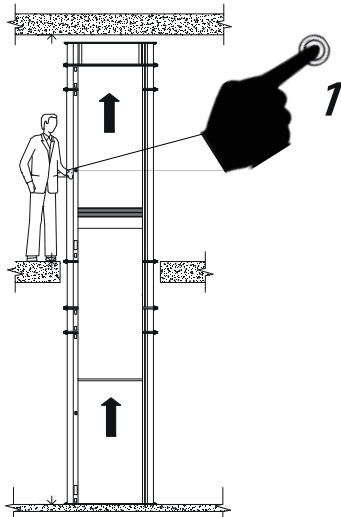
La información consignada en este documento es propiedad de Pneumatic Vacuum Elevators LLC. Se prohíbe a cualquier persona u organización la reproducción total o parcial de dicha información sin el consentimiento por escrito de Pneumatic Vacuum Elevators LLC.



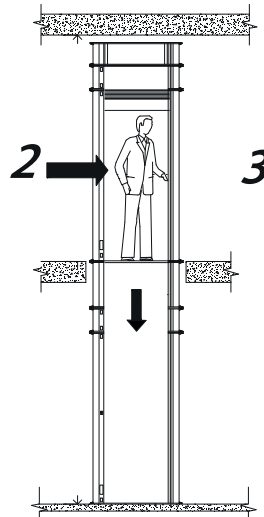
5.1 Funcionamiento

Llamada cuando la cabina no está en planta

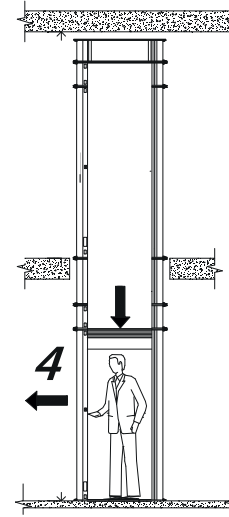
1. Presionar momentáneamente botón de llamada y esperar hasta que la cabina llegue y ancle en nivel.



2. Abrir la puerta y entrar en cabina
3. Presionar momentáneamente botón de planta deseada

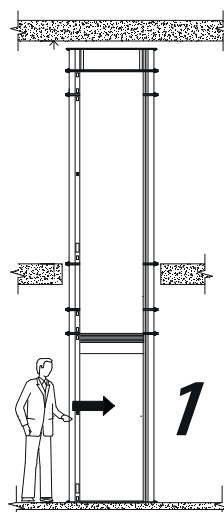


4. Esperar hasta que la cabina llegue y ancle en nivel. Empujar la puerta para salir.

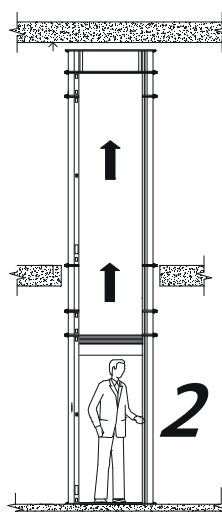


Cuando la cabina está en planta

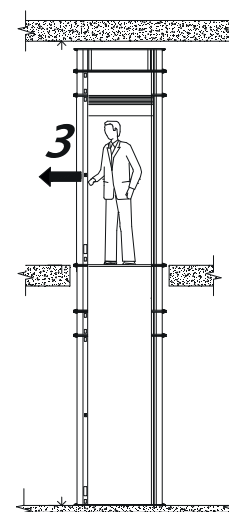
1. Abrir puerta y entrar en cabina



2. Presionar momentáneamente botón de planta deseada



3. Esperar hasta que la cabina llegue y ancle en nivel. Empujar la puerta para salir.





5.2 Características de funcionamiento

- El ascensor cuenta con un sistema de control electrónico que gobierna el funcionamiento general del equipo atendiendo a una serie de requisitos de seguridad.
- La cabina se pondrá en marcha sólo si las puertas se encuentran correctamente cerradas y trabadas y la palanca de PARADA DE EMERGENCIA está en posición ON (hacia arriba).
- El controlador, por razones de seguridad, interrumpe automáticamente cualquier maniobra que no pueda ser ejecutada en un tiempo predeterminado.
- La cabina está equipada con un sistema de iluminación y ventilación que se pone en funcionamiento en forma automática cuando se presiona algunos de los pulsadores de LLAMADA o se abre la puerta con la cabina a nivel. Un temporizador los desactiva automáticamente tras 60 segundos.
- El ascensor está equipado con un sistema de frenos que actúan en caso de emergencia, anclando la cabina en forma mecánica. Este sistema de seguridad actúa en situaciones extremas.
- El equipo dispone de un sistema de seguridad por sobrecarga, que impide que la cabina se eleve cuando se ha sobrepasado la máxima carga admisible indicada en la etiqueta del ascensor.

5.3. Componentes adicionales

- **AMORTIGUADORES:** El ascensor neumático está equipado con dos amortiguadores ubicados en el suelo de la cabina. Su función es amortiguar el aterrizaje y evitar que la cabina choque directamente con el suelo.

- **STOP PIN:** El ascensor neumático está equipado con un pasador de seguridad (STOP PIN) ubicado en la parte superior izquierda de la columna de cerradura y unida a la misma mediante una pequeña cadena. VER ESQUEMA PUNTO 3.

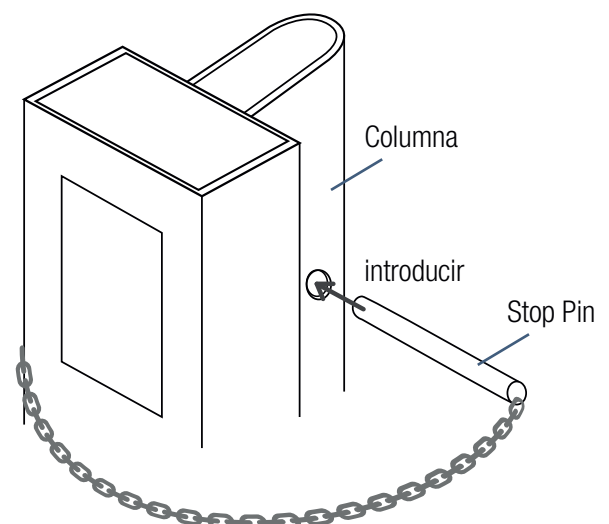
COMPONENTES PRINCIPALES DEL ASCENSOR

El STOP PIN se utiliza cuando se van a realizar trabajos dentro del cilindro del ascensor en la planta baja.

PVE recomienda que estos trabajos de limpieza y/o mantenimiento sean realizados por la empresa de mantenimiento y/o personal autorizado por el fabricante.

Instrucciones de uso:

1. Posicione la cabina en planta superior mediante una llamada.
2. Una vez la cabina está detenida y anclada en planta superior, apague la alimentación de la unidad mediante la desconexión principal (posición OFF)
3. Use la llave de triángulo de seguridad para desbloquear la puerta de planta baja. (Consultar punto 7.2.1 Cómo abrir manualmente la puerta de planta baja haciendo uso de la llave de traba de puerta desde el exterior del cilindro.)
4. Inserte el "Stop Pin (pasador)" en la columna / carril (ver imagen adjunta).
Nota: NO retire la cadena. Evitará que la puerta se cierre.
5. Una vez que se ha completado el trabajo / servicio, quitar todas las herramientas /objetos
6. Limpie la zona dejándola libre de cualquier obstrucción.
7. Quite "Stop Pin (pasador)" y cierre la puerta.



ADVERTENCIA: La entrada tiene que ser bloqueada cuando se está realizando el trabajo y siempre que se está utilizando el "Stop Pin".

La información consignada en este documento es propiedad de Pneumatic Vacuum Elevators LLC. Se prohíbe a cualquier persona u organización la reproducción total o parcial de dicha información sin el consentimiento por escrito de Pneumatic Vacuum Elevators LLC.



6. Cómo proceder en casos de funcionamiento irregular del ascensor

A - La cabina no responde cuando se presiona un pulsador externo de llamada

1. Verificar que todas las puertas están perfectamente cerradas.
2. Verificar que el interruptor de parada de emergencia está en la posición hacia arriba.
3. Comprobar que todos los interruptores están encendidos en el cuadro eléctrico principal de la vivienda.
4. En caso de que el fallo persista, contactar con servicio técnico de mantenimiento.

B - A - La cabina no responde cuando se presiona un pulsador interno de cabina

1. Verificar que todas las puertas están perfectamente cerradas.
2. Verificar que el interruptor de parada de emergencia está en la posición hacia arriba.
3. Comprobar que todos los interruptores están encendidos en el cuadro eléctrico principal de la vivienda.
4. En caso de que el fallo persista, contactar con servicio técnico de mantenimiento.

C - La cabina asciende/desciende sin detenerse en planta, y/o el sistema de vacío funciona ininterrumpidamente manteniendo la cabina en la parte superior del cilindro.

1. Bajar el interruptor de parada de emergencia. La cabina descenderá lentamente a planta baja.
2. Con la cabina en planta baja, subir el interruptor de parada de emergencia y presionar el pulsador de marcha interno de cabina para comprobar funcionamiento.
3. En caso de que el fallo persista, repetir el paso 1 y contactar con servicio de mantenimiento.

7. Como proceder en caso de atrapamiento

7.1 – Pasajero atrapado en cabina sin ayuda cercana en el exterior.

1. Mantener la calma y presionar pulsador de alarma.
2. Utilice el teléfono de cabina para contactar con ayuda: familia, servicio técnico de mantenimiento, bomberos. PVE recomienda tener anotados estos números de teléfono en una pegatina en el interior de cabina.

7.2 - Si usted se encuentra fuera de la cabina, y hay un pasajero atrapado en el interior.

Situación A. La cabina se encuentra a nivel de planta baja pero no se abre la puerta.

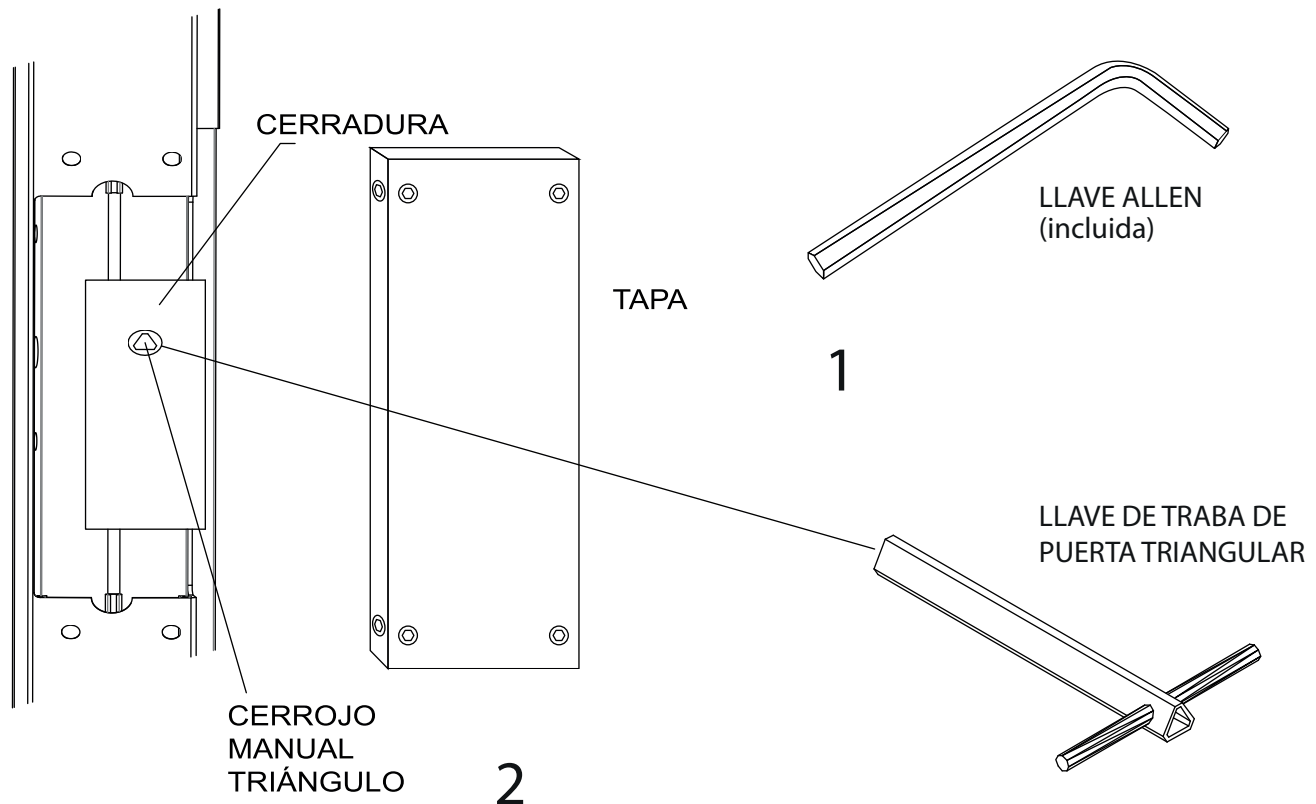
7.2.1 Cómo abrir manualmente la puerta de planta baja haciendo uso de la llave de traba de puerta desde el exterior del cilindro.

1. Retirar la tapa que se encuentra en la parte inferior de la columna lateral izquierda junto a la puerta y que cubre el mecanismo de cerradura. (Consultar punto 3. Componentes-Ubicación.)
2. Introducir la llave de triángulo de apertura de puerta.
3. Dar 1/4 de giro.
4. Abrir la puerta.

La información consignada en este documento es propiedad de Pneumatic Vacuum Elevators, LLC. Se prohíbe a cualquier persona u organización la reproducción total o parcial de dicha información sin el consentimiento por escrito de Pneumatic Vacuum Elevators LLC.



AVISO IMPORTANTE: Esta operación de rescate debe ser realizada por personal autorizado por el fabricante, distribuidor o empresa mantenedora. Una vez liberado el pasajero, colocar de nuevo la tapa en su posición original para evitar posibles daños.



Situación B. La cabina se encuentra detenida entre dos niveles, o en nivel de planta superior pero la puerta no abre.

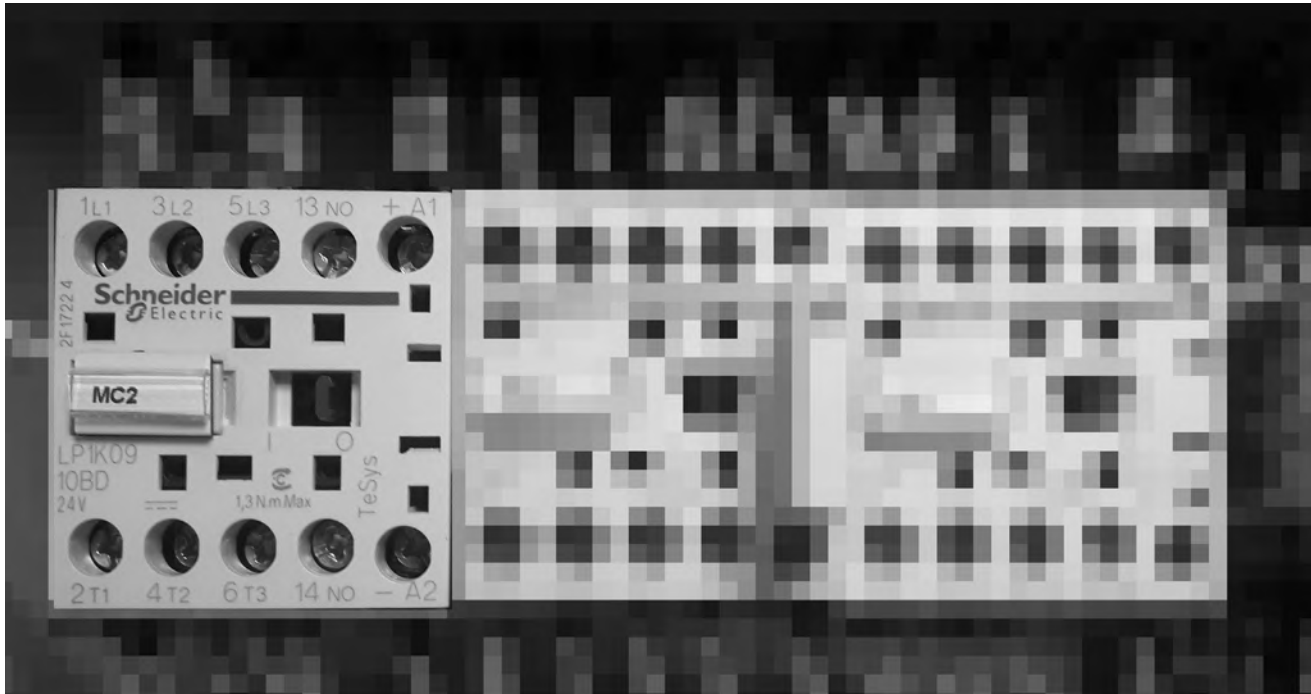
Para reducir el riesgo de lesiones personales, el ascensor cuenta con sistema de seguridad que controla la velocidad de descenso de la cabina. Si por algún motivo externo al ascensor, existirá una disfunción electromecánica o no se conserva el principio de funcionamiento mediante vacío (rotura o desprendimiento de una placa de policarbonato), provocando un descenso brusco de la cabina, un sistema de frenos de emergencia se accionan automáticamente anclando la cabina de forma mecánica en cualquier punto del cilindro del ascensor.

7.2.2 Activación manual de sistema de vacío

1. Verificar que no hay roturas en placas de policarbonato o que alguna se haya desplazado de su lugar. De ser así, contactar inmediatamente con servicio técnico.
2. Verificar que no existe un obstáculo por debajo de la cabina. De ser así, contactar inmediatamente con servicio técnico.
3. Verificar que el automático del domicilio esté activado.
4. Ir al cuadro eléctrico que estará ubicado en el interior del cabezal en la parte superior del cilindro o exteriormente colocado en la pared.
5. Comprobar que el interruptor principal está en posición ON hacia arriba.
6. Activar el contactor MC2 manualmente moviéndolo/s hacia la izquierda durante 2 - 5 segundos. Las turbinas deben activarse y la cabina empezará a subir. Tras 5 segundos soltar el contactor/es. La cabina comenzará a descender lentamente hasta planta inferior. En caso contrario, repetir la operación manteniendo el contactor unos segundos más.



Para identificar los contactores ver flecha roja en foto adjunta.



NOTA: Si la cabina desciende a planta baja y la puerta NO abre, proceder según procedimiento 7.2.1

NOTA: Si fue una pérdida de vacío lo que provocó el atrapamiento, contactar con la empresa mantenedora para restaurar el vacío colocando de nuevo el policarbonato, y proceder de nuevo desde el punto 3. Si la cabina sigue trabada proceder según el procedimiento 7.2.3.

7.2.3- Cómo quitar una pared de policarbonato para rescatar a un pasajero atrapado

Retirar los perfiles negros de goma alrededor de la plancha de policarbonato que permita el rescate del pasajero.
Retirar cuidadosamente la plancha de policarbonato que permita rescatar al pasajero atrapado.

AVISO IMPORTANTE: Esta operación de rescate debe ser realizada por personal autorizado por el fabricante, distribuidor o empresa mantenedora. Una vez liberado el pasajero, colocar de nuevo la pared de policarbonato en su posición original para evitar posibles daños.

IMPORTANTE

UNA VEZ QUE EL PASAJERO SE ENCUENTRA FUERA DE LA CABINA, BAJAR LA LLAVE TERMICA BIPOLAR DE 32A GENERAL DEL PANEL DE CONTROL Y LLAMAR INMEDIATAMENTE AL SERVICIO TECNICO.

8. Limpieza del equipo.

- Para limpiar el exterior del cilindro utilice un producto para limpiar policarbonato y un paño limpio.
- Para limpiar el suelo en el interior del cilindro de planta baja, haga uso del Stop Pin. (Consultar punto 5.3 Componentes adicionales)

La información consignada en este documento es propiedad de Pneumatic Vacuum Elevators, LLC. Se prohíbe a cualquier persona u organización la reproducción total o parcial de dicha información sin el consentimiento por escrito de Pneumatic Vacuum Elevators, LLC.



9. Garantía

Pneumatic Vacuum Elevators, LLC garantiza por uno año a partir de la fecha de instalación del ascensor de vacío, el funcionamiento de este producto contra cualquier defecto en los materiales y mano de obra empleados para su fabricación. Nuestra garantía incluye la reparación, reposición, o sustitución de los componentes, en su caso, ante posibles errores o defectos de fabricación, sin cargo alguno para el cliente, así como los gastos de transporte derivados del cumplimiento de la presente garantía.

Para hacer efectiva esta garantía, desde una fecha posterior a la de entrega desde fábrica del equipo, no podrán exigirse mayores requisitos que presentar la hoja de verificación y puesta en marcha que la empresa instaladora le entregó tras la instalación del ascensor.

ESTA GARANTIA NO SERÁ VÁLIDA BAJO LAS SIGUIENTES CONDICIONES:

1. Cuando en la factura, garantía y/o documentos de puesta en marcha se detectasen signos de haber sido alterada en los datos originales consignados en ella.
2. Cuando en el uso, cuidado, mantenimiento y operación del ascensor no se hayan seguido las instrucciones y pautas contenidas en el manual de usuario y/o mantenimiento.
3. Cuando el producto haya sido usado fuera de su capacidad, maltratado, golpeado, expuesto a la humedad, rociado por algún líquido o sustancia corrosiva, así como por cualquier otro tipo de mal uso, uso indebido, o fallo a causa directa o indirectamente atribuible al usuario.
4. Cuando el producto haya sido desarmado, modificado o reparado por personas no acreditadas por el fabricante o, por empresas instaladoras no autorizadas por Pneumatic Vacuum Elevators, LLC.
5. Cuando la manipulación, instalación del producto no haya sido llevada a cabo por instaladores autorizados, o conforme a los procesos y procedimientos, e instrucciones facilitadas por el fabricante, y/o contenidas en el manual de montaje e instalación.
6. Cuando se produzca cualquier tipo de fallo o avería originada por el desgaste normal de las piezas debido al uso o por desgaste de uso normal y/o de la vida útil señalizada por el fabricante, o no se hayan efectuado las apropiadas tareas de conservación en dicho sentido.
7. Cuando el posible fallo o avería sea causado por la instalación eléctrica del inmueble o infraestructura donde se encuentre ubicado el ascensor, o por causa imputable al suministro de energía.

Ninguna otra garantía verbal o escrita diferente a la aquí expresada será reconocida por Pneumatic Vacuum Elevators, LLC.

NOTA: En caso de extravío de la presente garantía, el cliente, si lo desea, podrá ponerse en contacto con el fabricante, Pneumatic Vacuum Elevators and Lifts S.L., para que le sea expedida una copia –que coincidirá con los datos de la garantía previamente activada, o en su caso, con la entregada a la salida de fábrica de dicho equipo-.vador.

A WORK OF ART. POWERED BY AIR.®

La información consignada en este documento es propiedad de Pneumatic Vacuum Elevators, LLC. Se prohíbe a cualquier persona u organización la reproducción total o parcial de dicha información sin el consentimiento por escrito de Pneumatic Vacuum Elevators, LLC.



pve[®]
pneumatic
vacuum elevators

PVE USA

12602 NW 115th Ave
Miami, Florida, 33178
Tel. (305) 884 -1091
www.VacuumElevators.com
info@vacuumelevators.com