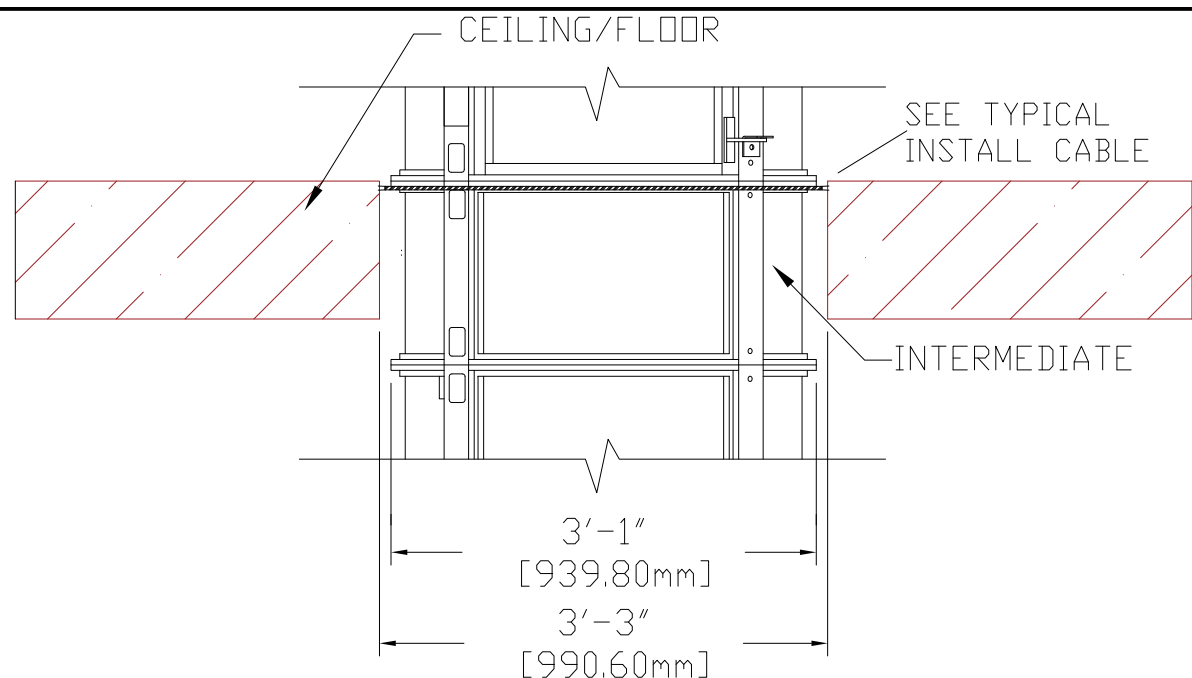
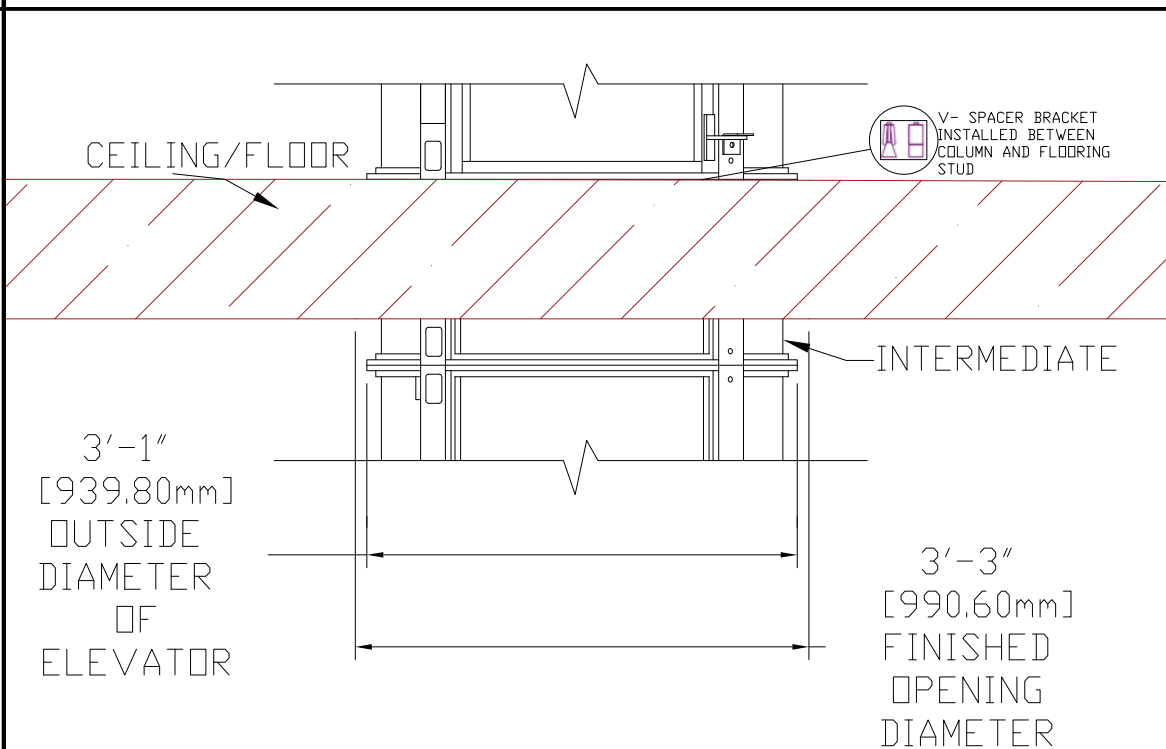


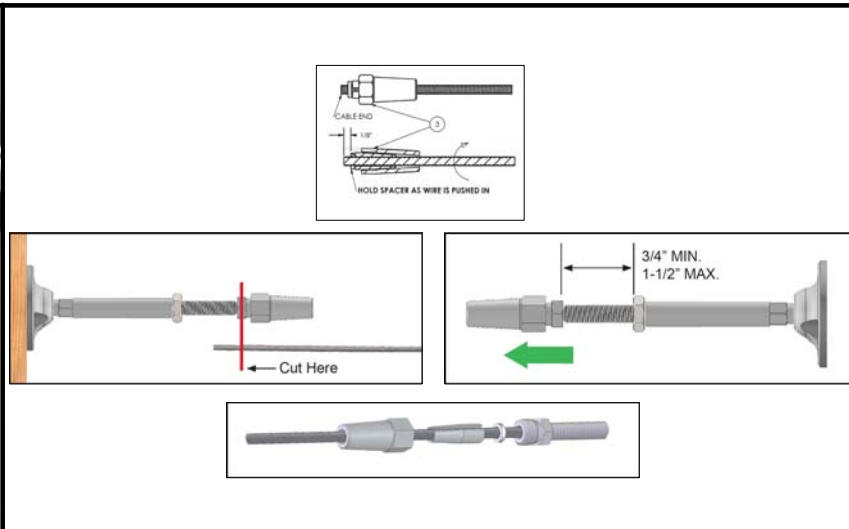
TYPICAL BALCONY MOUNT



TYPICAL TROUGH FLOOR

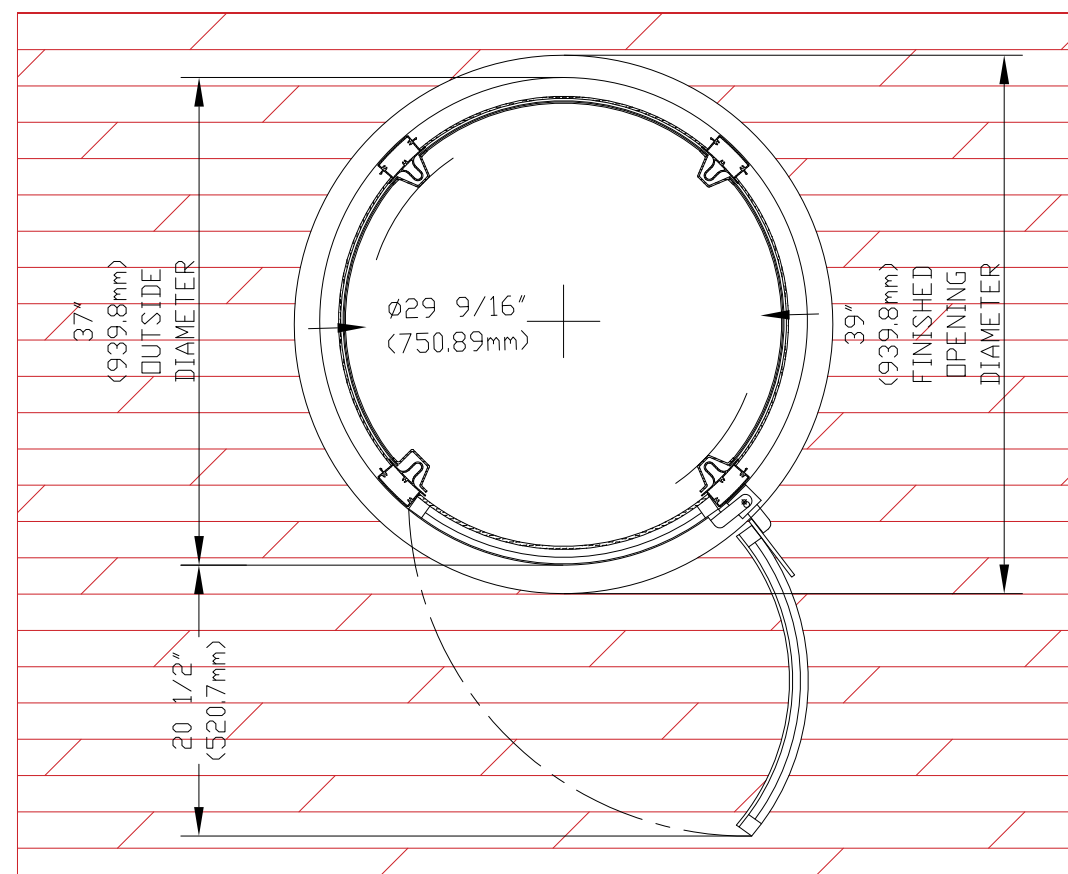


NOTES

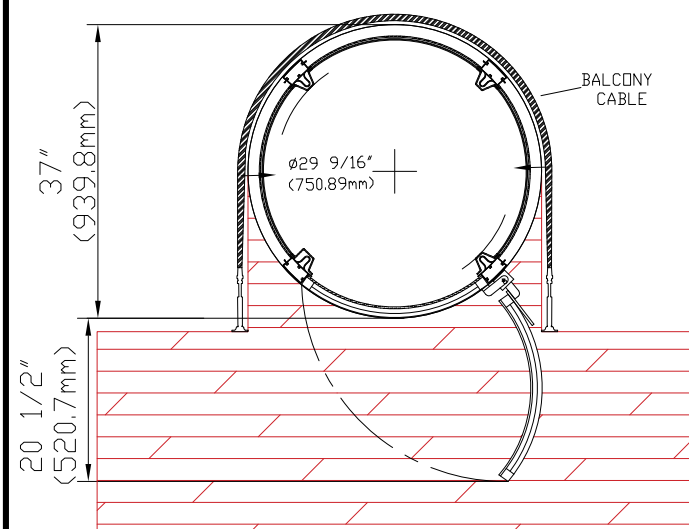


EXAMPLE INSTALLATION

TYPICAL INSTALLED CABLE

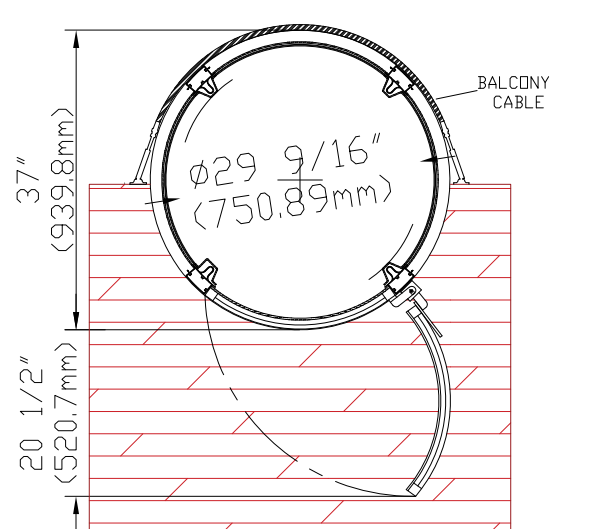


MAX. OPENING OF DOOR 90 DEGREES



MAX. OPENING OF DOOR 90 DEGREES

BALCONY MOUNT SAMPLE 1



MAX. OPENING OF DOOR 90 DEGREES

BALCONY MOUNT SAMPLE 2

TYPICAL TROUGH FLOOR MOUNT SAMPLE

REVISION AND PRINT RECORD

REV. BY	DESCRIPTION	DATE	FOR
R.L	INITIAL LAYOUT	12/18/19	MARKET

TOLERANCES UNLESS OTHERWISE SPECIFIED

1" (1.00)	25.4 MM OR LESS	+1/32 (0.31)	.793 MM
OVER 1" (1.00)	25.4 MM LESS THAN 12" (12.00)	304.80 MM	+1/16" (0.625) 1.59 MM
OVER 12" (12.00)	304.80 MM LESS THAN 60" (60.00)	1524 MM	+1/8" (1.25) 3.18 MM
OVER 60" (60.00)	1524 MM TO 120" (120.00)	3048 MM	+1/4" (2.50) 6.35 MM

PNEUMATIC

VACUUM ELEVATORS LLC

12602 NW 115th AVE. MEDLEY, FL. 33187
(305) 884-1091 Fax (305) 884-1092



JOB NAME: BALCONY EXAMPLES

LOCATION: 12602 NW 115th AVE. MEDLEY, FL. 33187

SCALE: NTS

DRAWN BY: RYDER LLOYD FINALS: 12/18/2019

CHECKED BY: J.C. RELEASED BY:

CUSTOMER#: XX P. ORDER #: XX

JOB #: BALCONY EXAMPLES SHEET #: 1 OF 2